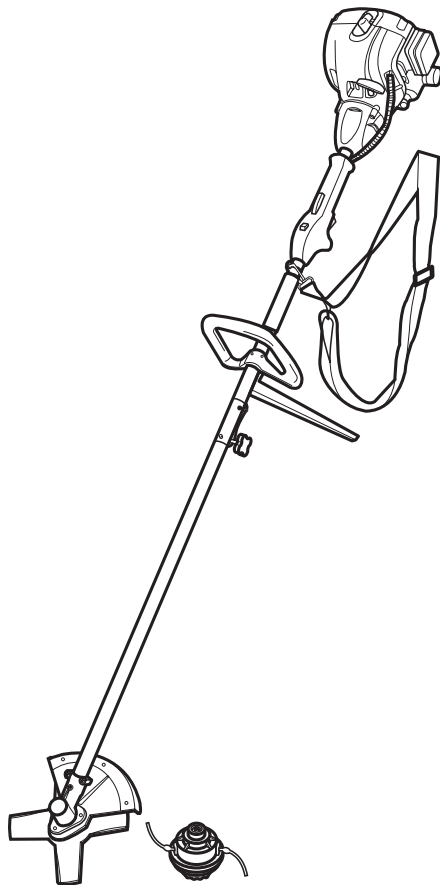


# Petrol brush cutter (25 cm<sup>3</sup>)



Original Instructions – FPPBC25-6\_V20922

## FPPBC25-6

BX220IM

EAN: 3663602939993



**WARNING:** Read the instructions before using the machine!

# Let's get started...

These instructions are for your safety. Please read through them thoroughly before use and retain them for future reference.



## Getting **Started...** 02

<b>Safety</b> information	03
<b>Your</b> machine	11
<b>Before</b> you start	15
<b>Quick</b> start	22



## **In more detail...** 25

<b>Machine</b> functions	25
<b>Operation</b>	27
<b>Care</b> and maintenance	33
<b>Troubleshooting</b>	40
<b>Recycling</b> and disposal	42
<b>Guarantee</b>	43
<b>Customer</b> care and technical helpline	44
<b>Availability</b> of spare parts	45
<b>UK</b> declaration of conformity	46
<b>EC</b> declaration of conformity	47

## Safety warnings

### **IMPORTANT READ CAREFULLY BEFORE USE KEEP FOR FUTURE REFERENCE**

1. This machine is not intended for use by children and persons with reduced physical, sensory or mental capabilities, or lack of experience and knowledge.
2. Children should be supervised to ensure that they do not play with the machine.



**WARNING!** Your safety and the safety of others is very important. Of course, it is not practical or possible to warn you about all the hazards associated with operating or maintaining this machine. At all times you must use your own good judgment.

### **Training**

Read the instructions carefully. Be familiar with the controls and the proper use of the machine.

### **Preparation**

1. Never allow children or people unfamiliar with these instructions or children to use the machine. Local regulations can restrict the age of the operator.
2. Never operate the machine while people, especially children, or pets are nearby.
3. Keep in mind that the operator or user is responsible for accidents or hazards occurring to other people or their property.
4. Wear ear protection and safety glasses at all times while operating the machine.
5. Always wear substantial footwear and long trousers while operating the machine. Do not operate the machine when barefoot or wearing open sandals.
6. Thoroughly inspect the area where the machine is to be used and remove all stones, sticks, wires, bones and other foreign objects.
7. **WARNING** - Petrol is highly flammable.
  - store fuel in containers specifically designed for this purpose,
  - refuel outdoors only and do not smoke while refuelling,
  - add fuel before starting the engine. Never remove the cap of the fuel tank or add petrol while the engine is running or when the engine is hot,
  - if petrol is spilled, do not attempt to start the engine but move the machine away from the area of spillage and avoid creating any source of ignition until petrol vapours have dissipated.
8. Replace all fuel tanks and bottle caps securely.
9. Do not attempt to tackle any job that you are not adequately trained for.

- Getting Started . . .
10. Keep bystanders and animals at least 15 metres out of the work area.
  11. Do not operate the machine if it has faulty safety equipment or damaged parts.
  12. Do not under any circumstances modify the machine. Modifications can result in serious personal injury or death.
  13. All machines servicing and maintenance, other than the items listed in this manual, should be performed by an authorised service centre.
  14. First time user should have practical instruction in the use of the machine and protective equipment from an experienced operator.
  15. National regulation can restrict the use of the machine.
  16. If the cutting mechanism strikes any foreign object or the machine starts making any unusual noise or vibration, shut off the power source and allow the machine to stop. Disconnect the spark plug connector and take the following steps:
    - Inspect for damage;
    - Check for, and tighten, any loose parts;
    - Have any damaged parts replaced or repaired with parts having equivalent specifications

### **Clothing and personal protective equipment (PPE)**

1. Secure long hair so that they are above the shoulder level.
2. Do not wear loose fitting clothing or jewellery as those could be drawn into the engine, catch the cutting attachment or undergrowth.
3. Use the following safety clothing and personal protective equipment (PPE) when operating the machine:
  - Helmet with visor and neck guard (compliant to EN 397)
  - Wear ear protection (compliant to EN 352-1)
  - Wear eye protection (compliant to EN 166)
  - Protective gloves (compliant to EN ISO 21420 Class 0)
  - Slip-resistant steel toe cap boots (compliant to EN ISO 20345 Class 2)
  - First Aid Kit in case of injury
  - Dry powder fire extinguisher readily available

### **Operation**

1. Keep all parts of the body away from the machine when the machine is operating. Before starting the engine, make sure the machine is not contacting anything and is free from obstructions. A moment of inattention while operating the machine may cause entanglement of your clothing or body with the machine.
2. Always ensure that all handles and guards are fitted properly before operating the machine. Never attempt to use an incomplete machine or one fitted with unauthorized parts.
3. Do not operate the machine with one hand! Serious injury to the operator or bystanders may result from one handed operation.

4. Keep handles dry, clean and free from oil and grease. Greasy, oily handles are slippery and may cause loss of control.
5. Do not operate the machine if you are tired or ill, under the influence of drugs, alcohol or medication.
6. When the machine is switched off, make sure the cutting attachment has stopped before setting down the machine.
7. Do not operate the engine in a confined space where dangerous carbon monoxide fumes can collect.
8. Operate the machine only in daylight or in good artificial light.
9. Avoid operating the machine in wet grass or take additional precautions to avoid slipping.
10. Do not operate the cutting device when crossing surfaces other than grass, and when transporting the machine to and from the working area.
11. Take care against injury from a cutter fitted for trimming the cutting line length. After extending the cutter line always return the machine to its normal operating position before switching on.
12. Make sure that the ventilation openings are kept clear of debris.
13. Make sure that the air intake of the combustion engine is clear. Keep the air intake free of dust, dirt particles, gases and fumes.
14. If the cutting attachment does not stop when the engine idles, stop using the machine and contact with the customer services.
15. Never use the machine without the air filter installed.
16. Check for signs of wear or damage before each use, after any impact or if the machine has been dropped. Repair the machine if necessary.
17. Stop the engine, disconnect the spark plug connector:
  - before clearing blockages;
  - before cleaning or working on the machine;
  - after striking a foreign object. Inspect the machine for damage and make repairs before restarting and operating the machine;
  - if the machine starts to vibrate abnormally (check immediately);
  - whenever you leave the machine;
  - before refuelling.

## Maintenance

1. Keep all nuts, bolts and screws tight to be sure the machine is in a safe working condition.
2. Disconnect the spark plug connector before performing maintenance, except for carburetor adjustments.
3. Keep the engine and petrol storage area free of grass, thatch, moss, leaves or excessive grease to reduce the fire hazard.
4. Examine the machine regularly and replace worn or damaged parts for safety.
5. Do not operate the machine with a damaged or excessively worn cutting device.
6. Replace fuel lines and fuel filters every 2 years.

## Fuel handling

1. Always switch the machine off, disconnect the spark plug connector and let the machine cool down before refuelling it.
2. Fuel and fuel vapour are highly flammable. Take care when handling fuel.
3. Do not smoke while operating the machine, handling fuel or near fuel.
4. Always use suitable aids such as funnels and filler necks. Do not spill any fuel on the machine or its exhaust system. There is a risk of ignition. Remove spilled fuel carefully from all parts of the machine. Any residue which may be present must have completely volatilised, before the machine is put into operation!
5. Never refuel indoors.
6. Never use the machine in environments where there is a risk of explosion. Exhaust gases and fuel fumes are noxious. Fuel fumes can ignite.
7. Avoid skin contact with petrol.
8. Do not eat or drink, while you are refuelling the machine. If you have swallowed petrol or oil, or if petrol or oil has got into your eyes, then seek the advice of a doctor immediately.
9. Tighten the fuel tank cap thoroughly after refilling the fuel tank.
10. Fuel vapour pressure may build up inside the fuel tank depending on the fuel used, weather conditions and the tank venting system. To reduce the risk of burns and other personal injuries, remove the fuel tank cap carefully to allow any pressure build up to release slowly.
11. Ensure the spark plug connector is secure. Loose connector may cause electrical arcing that could ignite combustible fumes and cause a fire or explosion.
12. Use caution when handling fuel. To avoid any accidental fires, move the machine at least 3 metres from the fuelling point before starting the engine.
13. Do not operate the machine if it is leaking fuel.
14. Do not remove the fuel tank cap while the engine is running.
15. Do not store cans of fuel or refill the fuel tank in any place where there is a boiler, stove, wood fire, electrical sparks, welding sparks, or other sources of heat or fire which might ignite the fuel.
16. If any fuel spillage occurs during refuelling, use a dry rag to wipe up spills and allow remaining fuel to evaporate before starting the engine on again.
17. If you have spilt fuel on yourself or on your clothes, change your clothes and wash any part of your body that has come in contact with fuel before turning the engine on again.
18. If fuel has ignited, put out the fire with a dry powder fire extinguisher.
19. Never breathe in any fuel fumes, when you are refuelling the machine.
20. Keep fuel fresh (less than 30 days) or add fuel stabiliser.

## Transport and storage

1. Stop the engine before transporting the machine.
2. Refit the transport cover on the cutting blade during transportation or storage.

3. Allow the engine to cool before storing in any enclosure.
4. Never store the machine with petrol in the tank inside a building where fumes can reach an open flame or spark.
5. Store the machine and fuel so that there is no risk of leakages or fumes coming into contact with sparks or naked flames from electrical equipment, electric motors, relays/switches, boilers etc.
6. Empty machine of fuel after every use. Run the product dry of fuel in idle before storage.
7. Dispose of waste oil and fuel at a local petrol station, local authority centre or where facilities exist.

### Vibration and noise reduction

**To reduce the impact of noise and vibration emission, limit the time of operation, use low-vibration and low-noise operating modes as well as wear personal protective equipment.**

Take the following points into account to minimise the vibration and noise exposure risks:

1. Only use the machine as intended by its design and these instructions.
2. Ensure that the machine is in good condition and well maintained.
3. Use correct attachments for the machine and ensure they in good condition.
4. Keep a tight grip on the handles/gripping surfaces.
5. Maintain this machine in accordance with these instructions and keep it well lubricated (where appropriate).
6. Plan your work schedule to spread any high vibration tool use across a longer period of time.

### Emergency

**Familiarise yourself with the use of this machine by means of this instruction manual. Memorise the safety directions and follow them to the letter. This will help to prevent risks and hazards.**

1. **Always be alert when using this machine, so that you can recognise and handle risks early.** Fast intervention can prevent serious injury and damage to property.
2. **Stop the engine and disconnect the spark plug connector if there are malfunctions.** Have the machine checked by a qualified professional and repaired, if necessary, before you operate it again.
3. **In case of fire stop the engine and disconnect the spark plug connector.** Take fire-extinguishing measures immediately if the machine switch is no longer accessible.



**WARNING!** Never use water to extinguish the machine on fire. Burning fuel must be extinguished with special extinguishing agents! We recommend that you keep a suitable fire extinguisher within reach in your work area! We recommend to have dry powder fire extinguisher always available.

## Residual risks

**Even if you are operating this machine in accordance with all the safety requirements, potential risks of injury and damage remain. The following dangers can arise in connection with the structure and design of this machine:**

1. Health defects resulting from vibration emission if the machine is used over long periods of time or not adequately managed and properly maintained.
2. Injuries and damage to property due to broken application tools or the sudden impact of hidden objects during use.
3. Danger of injury and property damage caused by flying objects.
4. Burns, if touching hot surfaces.



**WARNING!** This machine produces an electromagnetic field during operation! This field may under some circumstances interfere with active or passive medical implants! To reduce the risk of serious or fatal injury, we recommend persons with medical implants to consult their doctor and the medical implant manufacturer before operating this machine!




## Symbols

On the machine, the rating label and within these instructions you will find among others the following symbols and abbreviations. Familiarise yourself with them to reduce hazards like personal injuries and damage to property.


kW	Kilowatt	l	Litre
cm <sup>3</sup>	Cubic centimetre	ml	Millilitre
min <sup>-1</sup>	Per minute	°C	Degree Celsius
m	Metre	dB(A)	Decibel (A-rated)
mm	Millimetre	m/s <sup>2</sup>	Metres per second squared
cm	Centimetre	kg/h	Kilogram per hour
kg	Kilogram	g/kWh	Gram per kilowatt per hour
yyWxx	Manufacturing date code; year of manufacturing (20yy) and week of manufacturing (Wxx)		





**Description of signal words:**

-  **DANGER!** The signal word that indicates a hazard with a high level of risk which, if not avoided, will result in death or serious injury.
-  **WARNING!** The signal word that indicates a hazard with a medium level of risk which, if not avoided, could result in death or serious injury.
-  **CAUTION!** The signal word that indicates a hazard with a low level of risk which, if not avoided, could result in minor or moderate injury.
- NOTE!** Indicates a practical tip, advice or practice not related to personal injury.


  Caution/Warning.  
Read the instruction manual.


 Note/Remark.


 Wear slip-resistant steel toe cap boots (compliant to EN ISO 20345 Class 2)


 Protective gloves (compliant to EN ISO 21420 Class 0)


 Wear ear protection (compliant to EN 352-1)  
Wear eye protection (compliant to EN 166)

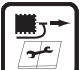
 Do not expose the machine to rain or wet conditions.

 Open flames in the work area, around the machine and in the vicinity of flammable materials are prohibited!

 Do not smoke in the work area, around the machine and in the vicinity of flammable materials!

 Risk of fire/flammable materials.

 Hot surface, do not touch! High temperatures on the machine's surfaces and structural parts that could cause burns, if they are touched. The machine can also stay hot for a longer period of time after the operation!

 Stop the engine and disconnect the spark plug connector before assembly, cleaning, adjustments, maintenance, storage and transportation.



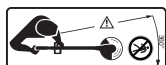
Petrol engines produce toxic carbon monoxide exhaust fumes. Breathing carbon monoxide can cause nausea, fainting or even death. Do not operate the engine indoors!



Stop the engine before refuelling. Never refuel the machine while the engine is running.



Only refuel unleaded petrol and oil mixture in ratio 40:1. Do not use any other mixture ratio.



Keep bystanders out of working area during operation. A distance of at least 15 metres around the operator must be observed.



Objects thrown by the machine could hit the operator or other bystanders. Always ensure that other people and pets remain at a safe distance from the machine when it is in operation.



Beware of blade thrust! Units fitted with blades can be thrown violently to the side when the blade comes into contact with a fixed object. A blade is capable of amputating an arm or leg. Keep bystanders and animals at least 15 metres from the machine.



Do not touch the cutting attachment until it stops completely.



Press the primer 6 times before starting the cold engine.



Maximum rotational frequency of the shaft for the cutting attachment in  $\text{min}^{-1}$ .



Choke – CLOSE position.



Choke – OPEN position.



Guaranteed sound power level value in dB.

FPPBC25-6

Designation of the tool  
(FP\_Brand Name; PBC\_Petrol Brush Cutter; 25\_Engine size in cc)



The machine complies with the applicable European directives and an evaluation method of conformity for these directives was done.



The machine complies with the conformity requirements of the applicable UK regulations.

## Technical specifications

### General

- > **Dimensions:** approx. 176 x 36 x 25 cm
- > **Weight (without fuel, cutting attachment, guard and harness):** approx. 6.4 kg
- > **Fuel tank capacity:** 460 cm<sup>3</sup> (ml)
- > **Petrol type:** #97, unleaded
- > **Engine oil type:** 2-stroke engine oil, FC
- > **Fuel-oil ratio:** 40:1
- > **Cutting attachment:**
- Cutting blade:** 4 teeth, Ø230 x 1.8 mm
- Trimmer head:** bumping type, Ø2 mm nylon line  
Max cutting width Ø430 mm

### Engine

- > **Engine model:** SL33
- > **Engine displacement:** 25 cm<sup>3</sup>
- > **Maximum engine power (in accordance with ISO 8893):** 0.8 kW
- > **Maximum speed of the spindle (rotational frequency):** 8500 min<sup>-1</sup>
- > **Maximum operating engine speed (rotational frequency):** 10500 min<sup>-1</sup>
- > **Idle speed:** 3000 min<sup>-1</sup>
- > **Fuel consumption (in accordance with ISO 8893) at max. engine performance:** 0.38 kg/h
- > **Specific fuel consumption (in accordance with to ISO 8893) at max. engine performance:** 447 g/kWh
- > **Spark plug type:** TORCH L8RTC
- > **Spark plug gap:** 0.6 – 0.7 mm

**Sound levels**

**Equivalent sound pressure level at operator position determined in accordance with ISO 22868**

- > **Brush cutter  $L_{pA av}$ :** 94.2 dB(A)
- > **Grass trimmer  $L_{pA av}$ :** 94.3 dB(A)
- >  **$K_{pA}$  uncertainty:** 3 dB(A)

**Sound power level determined in accordance with ISO 22868 and Directive 2000/14/EC**

- > **Measured max.  $L_{WA}$ :** 109.3 dB(A)
- >  **$K_{WA}$  uncertainty:** 1.91 dB(A)
- > **Guaranteed sound power level:** 111 dB(A)

**Equivalent vibration total value determined in accordance with ISO 22867**

- > **Brush cutter (front handle):** 5.92 m/s<sup>2</sup>
- > **Brush cutter (rear handle):** 5.61 m/s<sup>2</sup>
- > **Grass trimmer (front handle):** 7.19 m/s<sup>2</sup>
- > **Grass trimmer (rear handle):** 6.10 m/s<sup>2</sup>
- > **K uncertainty :** 1.5 m/s<sup>2</sup>

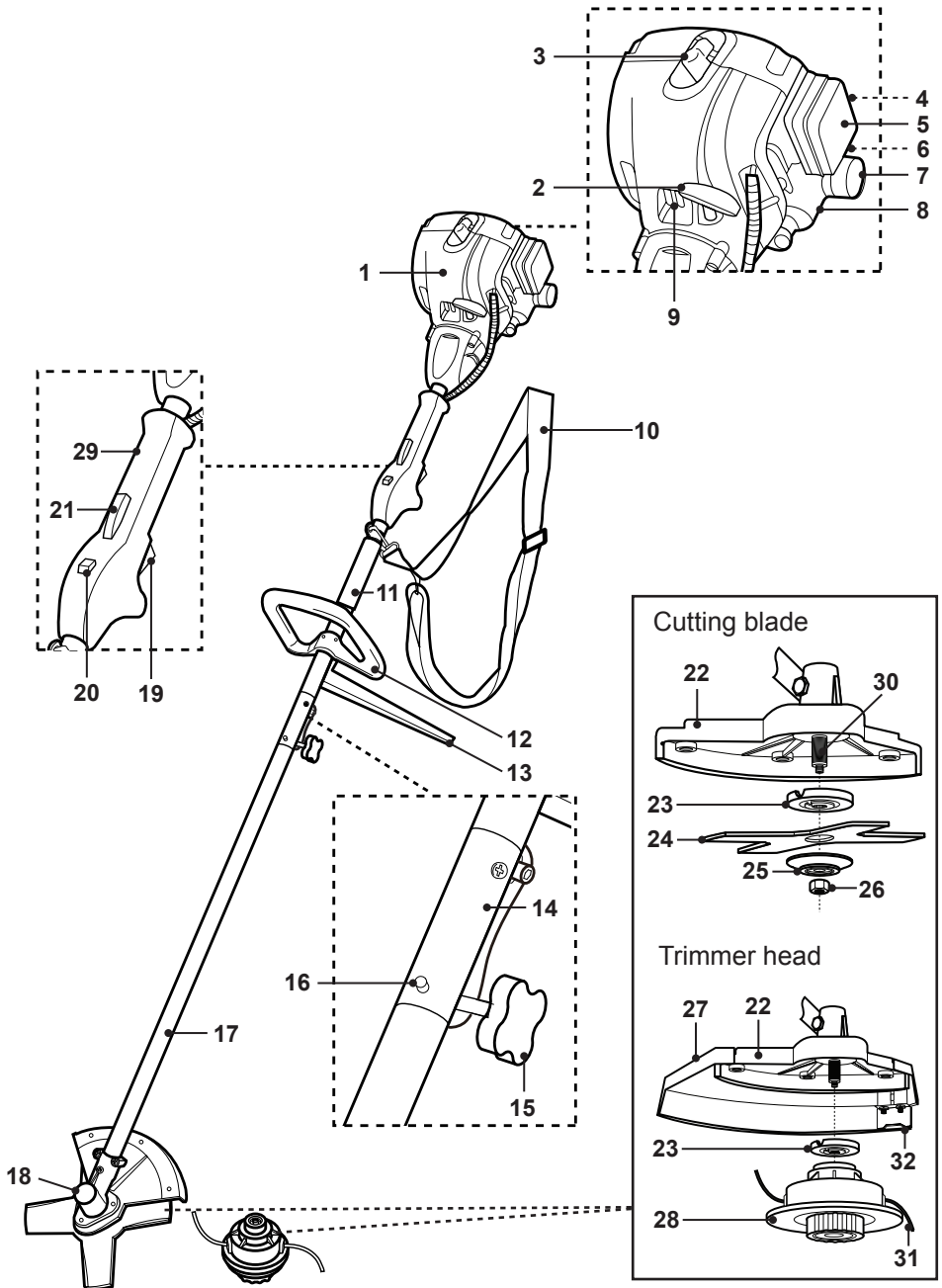
The sound values have been determined according to noise test code given in ISO 10884, using the basic standards ISO 22868.

Wear hearing protection, especially when sound pressure is over 80 dB(A).

The declared vibration value has been measured in accordance with a standard test method and may be used for comparing one machine with another. The declared vibration value may also be used to evaluate the exposure for the user caused by vibration in advance.

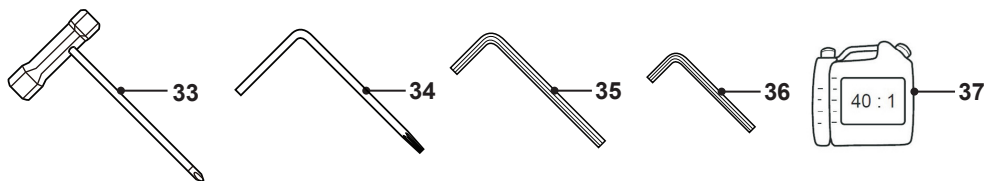


**WARNING!** Depending on the actual use of the machine the vibration values can differ from the declared total. Adopt proper measures to protect yourself against vibration exposures. Take the whole work process including times the machine is running under no load or switched off into consideration! Proper measures include among others regular maintenance and care of the machine and accessories, keeping hands warm, periodical breaks and proper planning of work processes!



- |  |  |
|--|--|
| 1. Power unit                            | 17. Bottom drive shaft tube              |
| 2. Recoil starter handle                 | 18. Gear head                            |
| 3. Spark plug connector                  | 19. Throttle trigger                     |
| 4. Choke                                 | 20. Stop switch                          |
| 5. Air filter case                       | 21. Throttle trigger lockout             |
| 6. Primer                                | 22. Cutting-attachment guard             |
| 7. Fuel tank cap                         | 23. Backing flange                       |
| 8. Fuel tank                             | 24. Cutting blade (with transport cover) |
| 9. Ventilation openings                  | 25. Locking flange                       |
| 10. Harness with quick-release mechanism | 26. Securing nut                         |
| 11. Upper drive shaft tube               | 27. Trimming guard                       |
| 12. Front handle                         | 28. String trimmer head                  |
| 13. Barrier bar                          | 29. Rear handle                          |
| 14. Shaft clamp                          | 30. Spindle                              |
| 15. Locking nut                          | 31. Cutting line                         |
| 16. Lock pin                             | 32. Cutting line cutter                  |

### Accessories



- |   |                        |
|---|------------------------|
| 33. Multi-tool I (Cross-head screwdriver/<br>socket wrench) | 35. Hex key 5 mm       |
| 34. Multi-tool II (Torx screwdriver/round rod)              | 36. Hex key 4 mm       |
|   | 37. Fuel mixing bottle |

## Unpacking

1. Unpack all parts and lay them on a flat, stable surface.
2. Remove all packing materials and protective shipping materials, if applicable.
3. Make sure the delivery contents are complete and free of any damage. If you find that parts are missing or show damage do not use the machine and contact your dealer. Using an incomplete or damaged machine represents a hazard to operators and property.
4. Ensure that you have all the accessories and tools needed for assembly and operation. This also includes suitable personal protective equipment.



**WARNING!** The machine and the packaging are not children's toys! Children must not play with plastic bags, sheets and small parts! There is a danger of choking and suffocation!

## You will need

### (items not supplied)

- > Suitable personal protective equipment
- > Sharpening set
- > Fuel funnel with filter
- > Suitable 2-stroke engine oil, FC
- > Suitable fuel (unleaded petrol)
- > Container to collect fuel
- > First aid kit
- > Dry powder fire extinguisher readily available

### (items supplied)

- > Multi-tool I (33)
- > Multi-tool II (34)
- > Hex key 5 mm (35)
- > Hey key 4 mm (36)
- > Fuel mixing bottle (37)

## Assembly



**WARNING!** The machine must be fully assembled before operation!



Do not use a machine that is only partly assembled or assembled with damaged parts!

Follow the assembly instructions step-by-step and use the pictures provided as a visual guide to assemble the machine easily!

Disconnect the spark plug connector before assembly! Reconnect it after assembly (see "Maintenance").



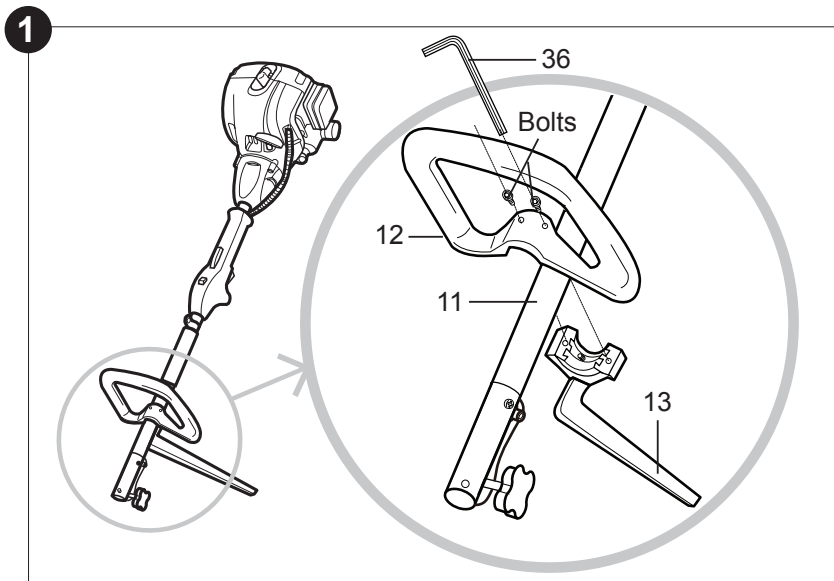
**NOTE:** Take care of small parts that are removed during assembly or when making adjustments. Keep them secure to avoid loss.



**NOTE:** To prevent the parts from coming loose during the operation, some parts are with reverse threads: turn clockwise to loosen, and turn anti-clockwise to tighten. Read carefully the instructions in this user manual for the correct tightening/loosening direction.

### Assembling the front handle and barrier bar

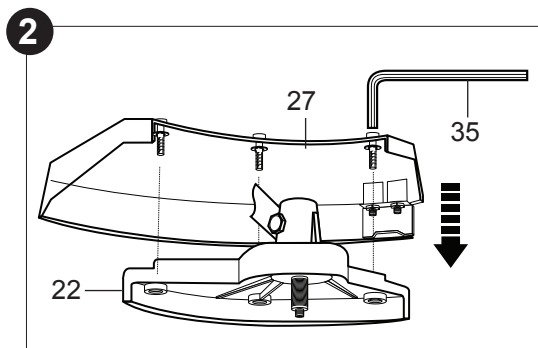
1. Loosen the pre-assembled bolts on the front handle (12) using the hex key (36). Separate the front handle (12) from the barrier bar (13).
2. Attach the front handle (12) and the barrier bar (13) to the upper drive shaft tube (11) with the screw engaging into one of the 3 holes (Fig. 1).
3. Secure them with the two bolts using the hex key (36).



### Assembling the trimmer head

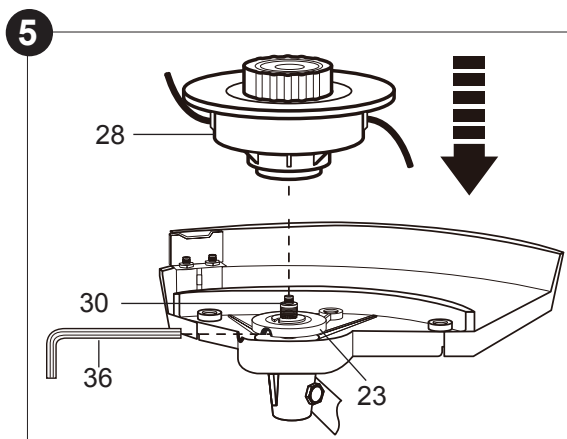
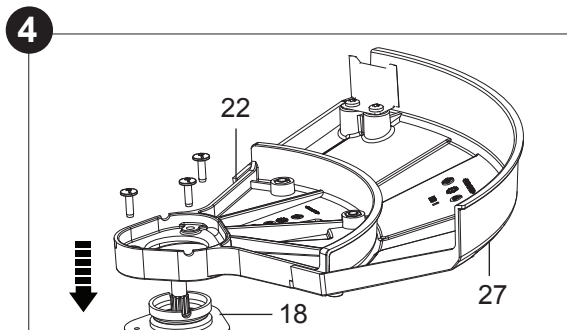
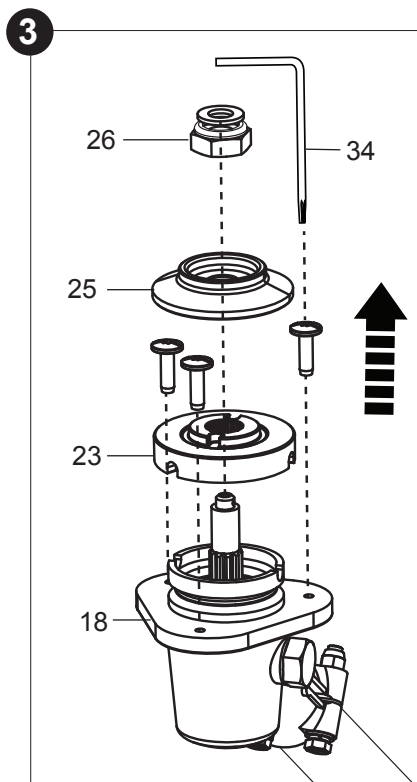
The trimmer head (28) is used together with both the cutting-attachment guard (22) and the trimming guard (27). Use the trimmer head for cutting smaller types of weed, lawn grass or similar soft vegetation.

1. Put the trimming guard (27) onto the cutting-attachment guard (22) and tighten the three screws securely using the hex key (35) (Fig. 2).





2. Loosen the three pre-assembled screws on the gear head (18), using the multi-tool II (34) (Fig. 3).
3. With one hand holding the backing flange (23) and the locking flange (25), turn the securing nut (26) clockwise to loosen it.
4. Remove the securing nut (26), the locking flange (25) and the backing flange (23) from the gear head (18).
5. Attach the cutting-attachment guard (22) with the trimming guard (27) to the gear head (18). Secure the guard with the removed three screws (Fig. 4).
6. Put the backing flange (23) onto the spindle (30) (Fig. 5).
7. Rotate the backing flange (23) until one of its grooves is aligned with one of those on the spindle (30).
8. Insert the hex key (36) into one of the grooves to lock the rotation of the spindle.
9. Screw the trimmer head (28) onto the spindle anti-clockwise securely.
10. Make sure the trimmer head (28) is firmly tightened and remove the hex key (36).



### Assembling the cutting blade

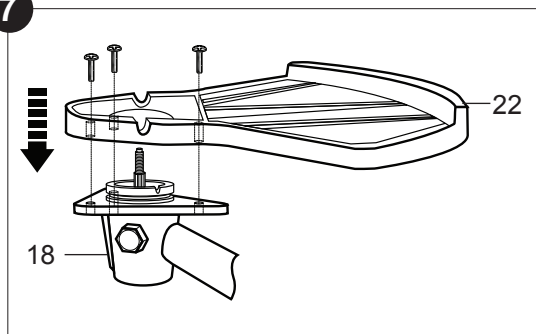
The cutting blade (24) is used together with the cutting-attachment guard (22). Use the cutting blade for cutting heavier weeds, brush and similar vegetation with a thickness of up to 20 mm.



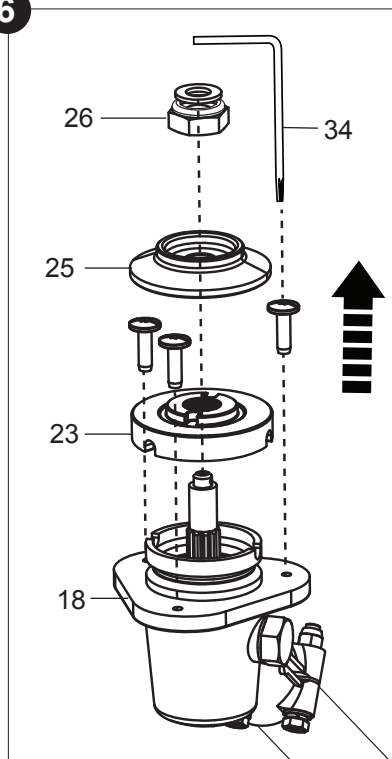
**CAUTION! Risk of cuts!** Cutting blade (24) is very sharp. Wear protective gloves when handling the cutting blade (24).

1. Loosen the three pre-assembled screws on the gear head (18), using the multi-tool II (34) (Fig. 6).
2. With one hand holding the backing flange (23) and the locking flange (25), turn the securing nut (26) clockwise to loosen it.
3. Remove the securing nut (26), the locking flange (25) and the backing flange (23) from the gear head (18).
4. Attach the cutting-attachment guard (22) to the gear head (18). Secure the guard with the removed three screws (Fig. 7).

7

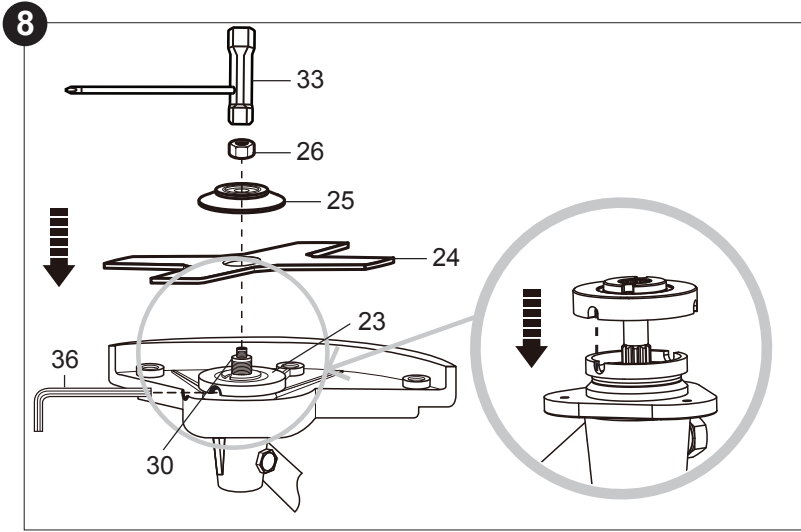


6



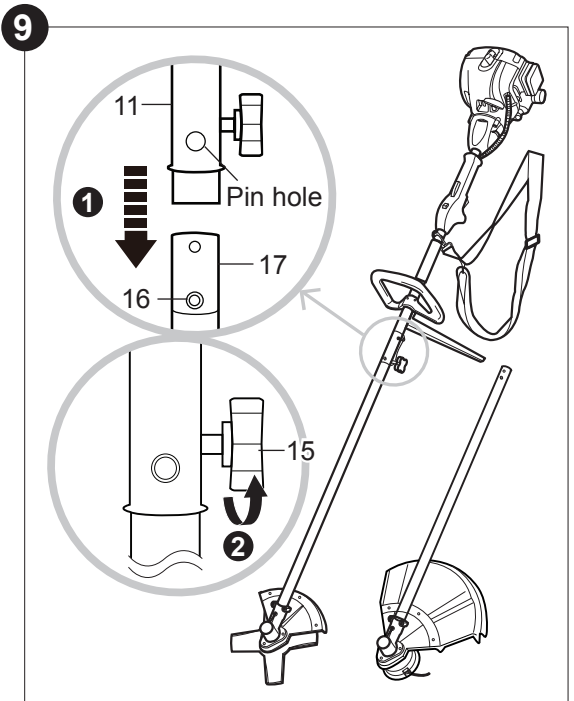
5. Put the backing flange (23) onto the spindle (30) (Fig. 8).
6. Rotate the backing flange (23) until one of its grooves is aligned with one of those on the gear head (18).
7. Insert the hex key (36) into one of the grooves to lock the rotation of the spindle.
8. Remove the cutting blade (24) from the transport cover and place it onto the spindle. The side with markings should be facing towards the gear head (18).
9. Place the locking flange (25) and then the securing nut (26) onto the spindle. The pins on the locking flange (25) should align with the groves on the backing flange (23).
10. Using the multi-tool I (33) tighten the securing nut (26) anti-clockwise to secure the parts in place.

11. Make sure the cutting blade (24) is firmly tightened and remove the hex key (36).



**Assembling the bottom drive shaft tube**

1. Press the lock pin (16) and insert the bottom drive shaft tube (17) into the upper drive shaft tube (11) (Fig. 9).
2. Move the bottom drive shaft tube (17) until the lock pin (16) pop out from the pin hole on the upper drive shaft tube (11).
3. Tighten the locking nut (15) securely.



## Filling up fuel and oil



**WARNING!** This machine is not supplied with petrol-oil mixture in the engine! Before operating this machine it is essential to fill it with petrol-oil mixture!

This machine is equipped with a 2-stroke engine. The fuel and oil tank are combined and it is essential to fill a fuel-oil mixture before operating this machine. Observe the technical specifications for suitable fuel and engine oil.



**WARNING!** Fuel and oil are highly inflammable! Fumes will explode if lit! Ensure that there are no naked flames around the machine! Do not smoke while filling fuel and oil!



**NOTE:** To avoid spillage and to filter out debris, use a funnel with filter to fill the fuel mixing bottle (37) and the fuel tank (8).



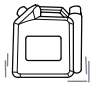
1. Place the machine on a stable, level surface with the fuel tank cap (7) facing upwards. We recommend laying a non-flammable sheet under the machine.
2. Pour a regular-grade unleaded petrol and a quality engine oil for air cooled 2-stroke engines in the supplied fuel mixing bottle (37) respectively via the 2 openings. Use the scale markings on different sides for the desired ratio for petrol:oil. For example, fill petrol to scale marking "10" first, and then fill 2-stroke oil to scale marking "10". This indicates a correct ratio of 40:1 when using the scale 40:1.
3. Tilt and shake the bottle thoroughly to mix the fuel.



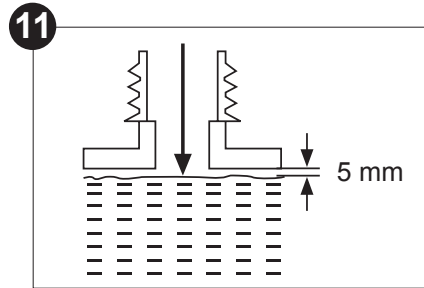
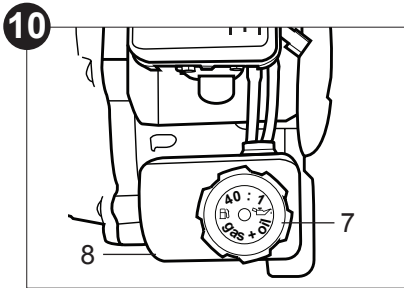
**NOTE:** Use an anti-oxidant added quality oil expressly labelled for air-cooled 2 stroke engine use (JASO FC GRADE OIL or ISO EGC GRADE). Do not use BIA or TWC (2 stroke water-cooling type) mixed oil. The recommended mixing ratio for petrol:oil is 40:1.



**CAUTION! Risk of machine damage.** Never mix fuel and oil directly in the tank of the machine.

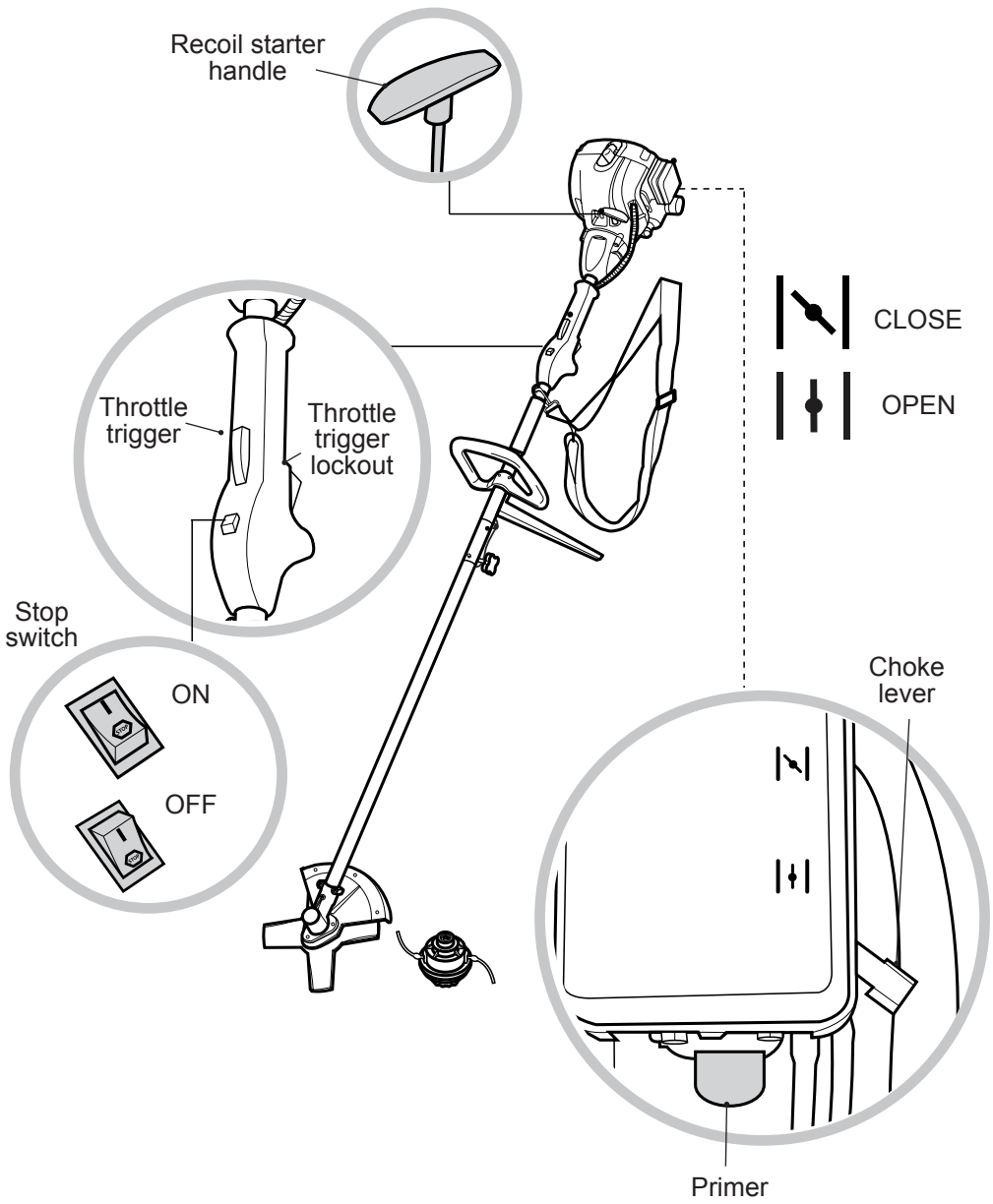
			=	
100 ml	+	2.5 ml	=	40:1
200 ml	+	5 ml	=	
300 ml	+	7.5 ml	=	
400 ml	+	10 ml	=	

4. Unscrew and remove the fuel tank cap (7) (Fig. 10).
5. Fill the fuel into the fuel tank (8). Leave approximately 5 mm of space between the top of the fuel and the inside edge of the tank to allow for expansion. Do not overfill (Fig. 11).
6. Wipe up spilled fuel with a soft cloth. Refit and screw the fuel tank cap firmly (Fig. 10).



**NOTE:** Fuel and oil deteriorate over time. It may be difficult to start the engine if you use fuel which has been kept for more than 30 days. Towards the end of the season, it is advisable to put only as much fuel in the tank as you need for each use, since it should be completely used up before storing the machine. Empty remaining fuel from the tank after each use.

# Operating controls



## Preparation

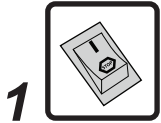


Assemble

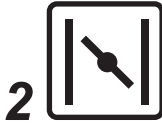


Add fuel and oil  
mixture

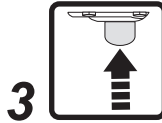
## Cold engine



Set stop switch  
to I



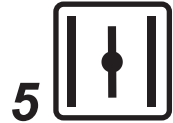
Set the choke  
to CLOSE



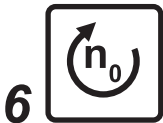
Press primer  
6 times



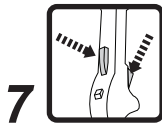
Pull recoil  
starter handle  
until engine  
starts



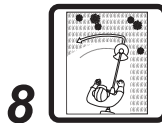
Set the choke  
to OPEN



Run idle for  
1-2 minutes








Press the  
throttle trigger  
lockout and  
throttle trigger



Operate

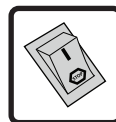
## Warm engine

- 1**  Set stop switch to I
- 2**  Set the choke to OPEN
- 3**  Pull recoil starter handle until engine starts
- 4**  Press the throttle trigger lockout and throttle trigger
- 5**  Operate

## Stopping



Release throttle trigger and throttle trigger lockout



Set stop switch to **STOP**

## Storage



Empty fuel tank



Empty oil



Clean and maintain



Store



**WARNING!** This quick start provides only a short overview of how to start and stop the machine! For safe use it is essential to read the entire instruction manual before first use!



## Intended use

This petrol brush cutter FPPBC25-6 is designated with a maximum power output of 0.8 kW.

- > With the cutting blade and cutting-attachment guard attached, the machine is intended to cut heavier weeds, brush and similar vegetation with a thickness of up to 20 mm.
- > With the trimmer head and trimming guard attached, the machine is intended to cut smaller types of weed, lawn grass or similar soft vegetation.



**WARNING!** The machine must be used by an experienced operator\* having read and understood the safety requirements provided within this instruction manual using appropriate personal protective equipment (PPE)!

This machine must not be used for cutting other materials, such as plastic, stone, metal, wood that contains foreign objects, or materials that are harmful to health. This machine should not be used for cutting unusually thick grass or vegetation, wet grass, or shredding leaves. For safety reasons it is essential to read the entire instruction manual before first operation and to observe all the instructions therein. This machine is intended for private domestic use only, not for any commercial trade use. It must not be used for any purposes other than those described.

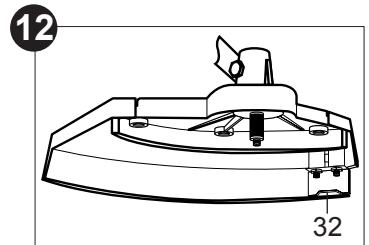
\* A trained operator is a person who has the competence and knowledge in the use and hazards associated with using a machine as well as the precautions to be taken to limit these hazards.

## Safety equipment

The machine has several pieces of safety equipment which reduce the risk of injury when working.

### Cutting and trimming guard

- > The guards protect the operator against thrown objects during operation.
- > For trimmer using with trimmer head (28), use together the trimming guard (27) and cutting-attachment guard (22); For brush cutter using with blade, use only the cutting-attachment guard (22).
- > The cutting line cutter (32) is integrated with the trimming guard and shortens the cutting line (31) to the necessary length (Fig. 12).
- > Never use the machine without a guard nor defective guard.

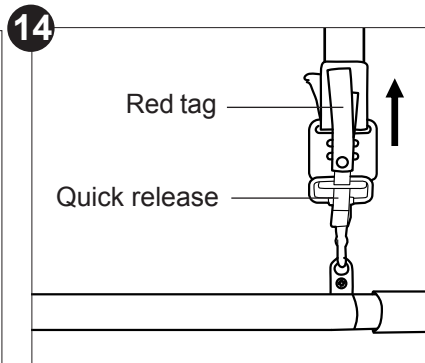
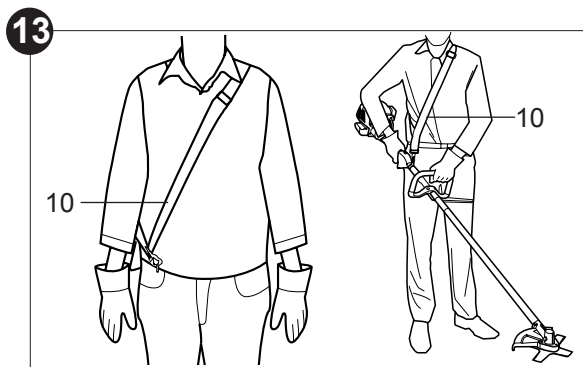


## Harness



**NOTE:** The harness improves working movement and enables the operator to manage the job in a safer way and takes the strain away from the body. Always wear the harness when working with the machine. Always turn the machine off and wait until the cutting attachment stops completely before taking off the harness.

1. Unclip the harness (10) from the upper drive shaft tube (11).
2. Place the harness (10) over your left shoulder crossing the chest and back. The quick-release must be located at the right hip (Fig. 13).
3. Clip the harness (10) to the upper shaft tube (11).
4. Adjust the length of the harness (10) so that the weight of the machine is balanced and the cutting attachment is approximately 10-15 cm above the ground.



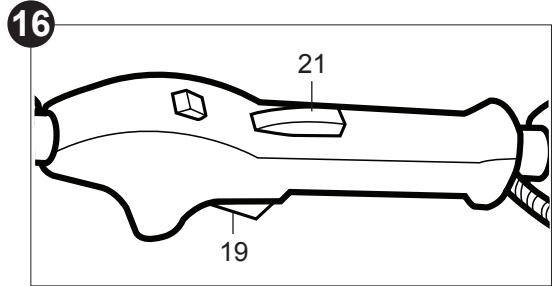
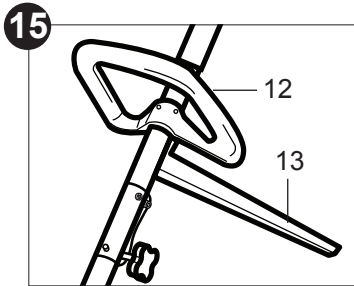
**WARNING!** In the event of an emergency, pull the red tag of the quick-release upwards to release the machine from the harness (Fig. 14).

## Barrier bar

The barrier bar (13) is for restricting backward movement of the machine. Always assemble the front handle (12) with the barrier bar (13) to the machine (Fig. 15).

## Throttle trigger lockout

The throttle trigger lockout (21) prevents unintentional start of the throttle trigger (19). The throttle trigger can only be activated if the throttle trigger lockout is pressed (Fig. 16).



**⚠ DANGER! Risk of injury!** The machine must only be put into operation if no faults are found. If any safety equipment is defective, it must be replaced before the next use.

## Operation

### Check before starting:

1. Check the machine, as well as accessories for damage before each use. Do not use the machine if it is damaged or shows wear.
2. Double check that accessories and the cutting attachment are properly fixed.
3. Check the fuel level, refill if necessary.
4. Always hold the machine by its handles. Keep the handles dry and clean to ensure proper grip.
5. Ensure that the air vents are unobstructed and clear. Clean them if necessary with a soft brush. Blocked air vents may lead to overheating and damage the machine.
6. Wear correct personal protection equipment to protect yourself from hidden objects that may be thrown from the cutting attachments.
7. Ensure the area to be worked is clear of stones, sticks, wire etc. or other objects that could damage the tool.
8. Stop the engine immediately if you are disturbed while working by other people entering the working area. Always let the machine come to complete stop before putting it down.
9. Do not overwork yourself. Take regular breaks to ensure you can concentrate on the work and have full control over the machine.



**NOTE:** In some countries regulations define at what time of the day and on what special days machines are allowed to be used and what restrictions apply! Ask your community for detailed information and observe the regulations in order to preserve a peaceful neighbourhood and avoid committing administrative offenses!

## Starting the engine



### DANGER! Risk of fire!

- > Due to any spilled fuel, the machine can catch fire.
- > Wipe any spilled fuel up before starting.
- > Start the engine a few metres away from the place where you have filled it.



### NOTE: Risk of machine damage!

Never twist the starter cord around your hand! Only pull on the handle!


Do not suddenly release the recoil starter handle! Allow the rope to return slowly and in a controlled manner each time it is pulled!

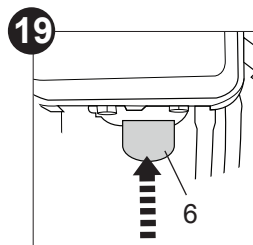
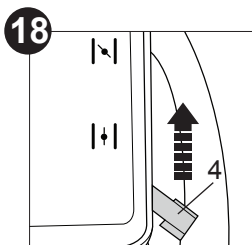
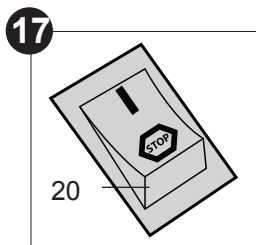



**NOTE:** If the engine does not start, the engine may be flooded. Flooding is caused by too much fuel mixture applied at the wrong time and can prevent a machine from starting. Follow below procedure:

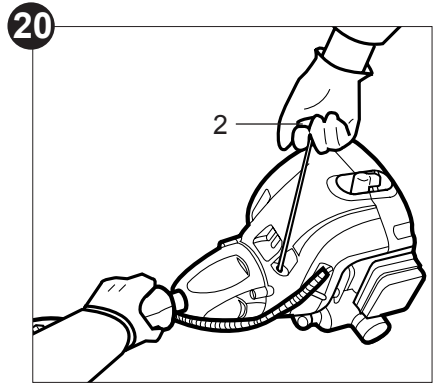
Remove the spark plug and dry the spark plug. Pull the recoil starter handle slowly for several times to drain the fuel from the combustion chamber. Wait until fuel vapours and refit the spark plug. Clean up any spilled fuel and move the machine at least 3 metres away before starting the engine to avoid any accidental fire. Wait the engine to cool down then cold start or warm start the machine as described.

### Starting cold engine


1. Place the machine on a flat and stable surface. The cutting attachment should not touch ground or any objects.
2. Set stop switch (20) to I (Fig. 17).
3. Set the choke (4) to CLOSE  position (Fig. 18).
4. Press the primer (6) 6 times until the bubble is filled with fuel (Fig. 19).

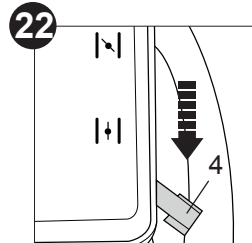
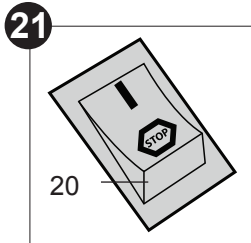


5. Hold the machine securely to the ground with your left hand.
6. Pull the recoil starter handle (2) slowly with your right hand until you feel a definite resistance and then give it a brisk, strong pull. Repeat until the engine starts (Fig. 20).
7. Set the choke (4) to OPEN  position.
8. Let the machine run in idle for 1 to 2 minutes to let it warm up.



### Starting warm engine

1. Place the machine on a flat and stable surface. The cutting attachment should not touch ground or any objects.
2. Set stop switch (20) to I (Fig. 21).
3. Set the choke (4) to OPEN  position (Fig. 22).



4. Hold the machine securely to the ground with your left hand.
5. Pull the recoil starter handle (2) briskly and strongly. Repeat until the engine starts.

### After starting the engine

1. Press the throttle trigger lockout (21) and then slowly press the throttle trigger (19) to increase the engine speed.
2. Check if the machine stops rotating when you release the throttle trigger (19).
3. Once the engine is running smoothly, carefully lift the machine and secure it to the harness (10) using the clip.



**WARNING!** Always attach the machine to the harness (10). Do not carry it only with you hands.

### Stopping the engine

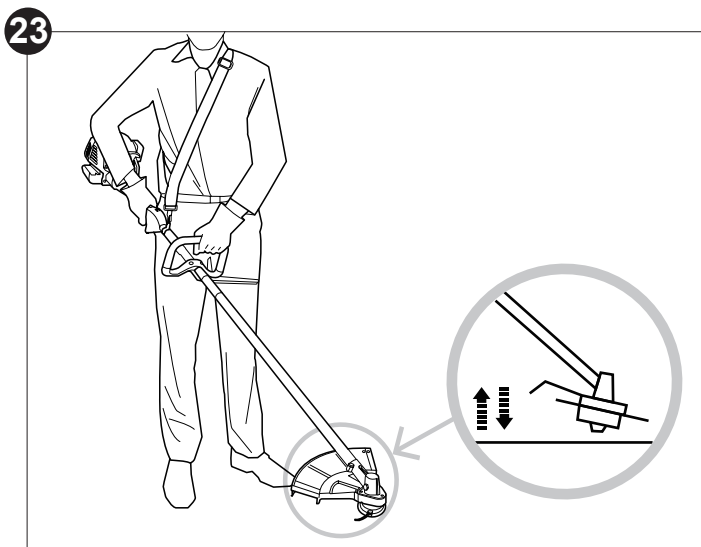
1. Release the throttle trigger (19) and let the machine run in idle for a while.
2. Set stop switch (20) to **STOP**.



**WARNING!** The machine continues to work for some time even after the engine has been stopped! Wait until it comes to a complete stop before you put the machine down!

### Trimmer line feeding

The trimmer head (28) is equipped with a bumper help to feed the cutting line (31). Simply tap the bumper on a firm ground while the machine is operating, the spool will release fresh trimming line. A cutting line cutter (32) is integrated with the trimming guard (27) and it cuts the line to necessary length (Fig. 23).



23

## Cutting/trimming tips

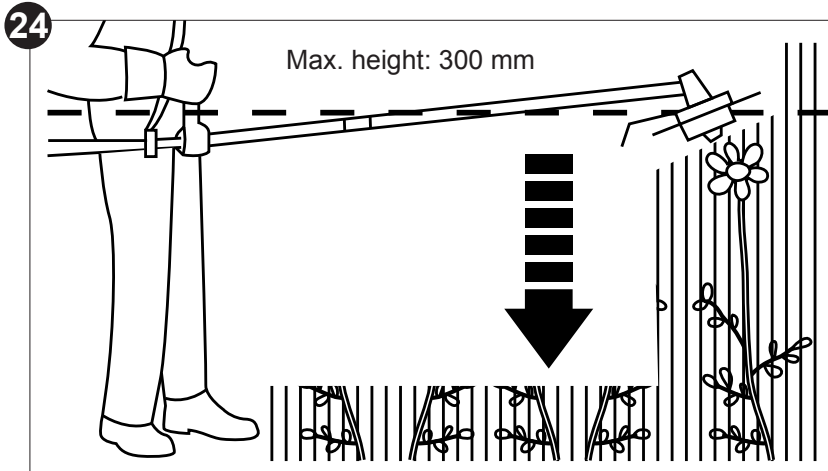


**WARNING!** Avoid contacting the cutting blade with stones, wire, glass, etc. that may cause injury to the operator. Inspect the cutting blade regularly for damage, cracks or breaks.

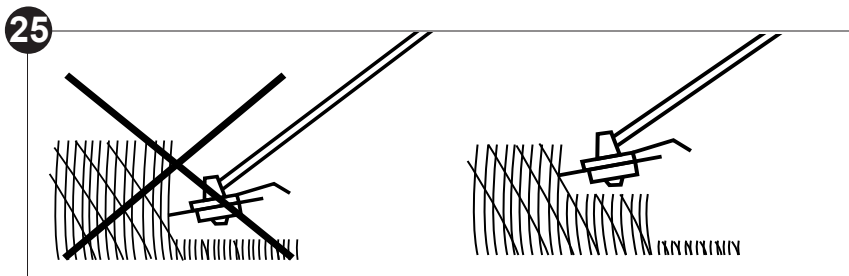


**WARNING!** When working with the cutting blade, there is always a risk of kickback if the cutting head comes into contact with a hard object. Kickback will cause the sudden stalling of the cutting head, which in turn results in the cutting head being forced in the opposite direction to the rotation of the cutting blade. Ensure that you retain a firm grip with both hands. In an event of a kickback retain a firm stance to avoid injuries.

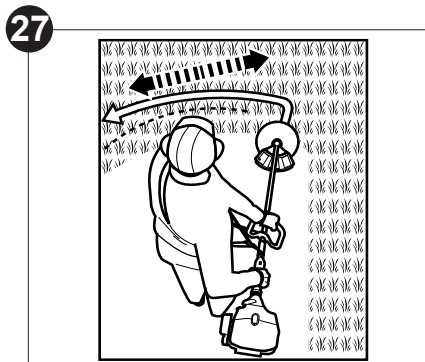
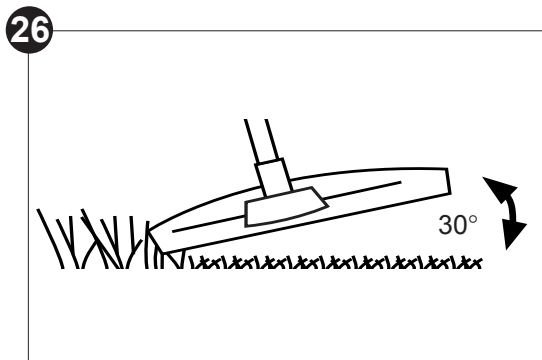
- > Stand upright, do not lean forward and pay attention to the posture. Keep both feet apart to help retain body balance.
- > Carefully plunge the cutting attachment from above when cutting long undergrowth.
- > Move the cutting attachment towards the base of young trees or thicker vegetation.
- > Do not lift the cutting attachment higher than your hip. The higher you hold the cutting attachment, the higher the risk of objects being thrown (Fig. 24).



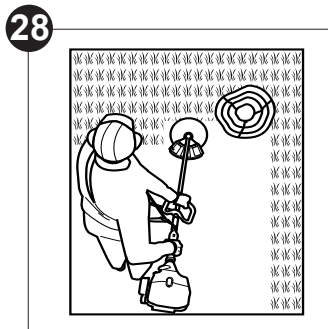
- > Avoid cutting tall grass in one cut. Trim taller grass in stages (Fig. 25).



- > Hold the cutting attachment just above the ground at an angle of approximately  $30^\circ$  (Fig. 26).
- > Move the machine with slow and regular motion from left to right before moving it back to the starting position and trimming the next area (Fig. 27).



- > Ensure that the cutting attachment remains clean and free of off-cuts to avoid jamming. Make sure the stop switch (20) is set to I and the spark plug connector (3) is removed before checking the cutting attachment for defects.
- > Avoid cutting wet grass as it tends to stick to the moving parts.
- > Pay special attention when performing the work close to trees and bushes (Fig. 28).





## After use

1. Stop the engine, disconnect the spark plug connector and let the engine cool down.
2. Check, clean and store the machine as described below.



**WARNING!** The cutting attachment continues to rotate for some time after the engine has been switched off. Wait until the cutting attachment comes to a complete stop before setting the machine on the ground.

## The golden rules for care



**WARNING!** Always stop the engine, disconnect the spark plug connector (3) and let the engine cool down before performing inspection, maintenance and cleaning work.



**DANGER!** Proper maintenance is essential for safe and trouble free operation. Improper maintenance, or failure to address a problem instantly can cause a malfunction which can result in serious injury or even death.

1. Keep the machine clean. Remove debris after each use and before storage.
2. Regular and proper cleaning helps to ensure safe operation and prolongs the life of the machine.
3. Inspect the machine before each use for worn and damaged parts. Do not operate it if you find broken and worn parts. Replace worn parts as necessary or contact an authorised service centre for repair before using the machine again.



**WARNING!** Only perform repairs and maintenance work according to these instructions! All other works must be performed by a qualified person!

## Cleaning



**NOTE:** Do not use chemical, alkaline, abrasive or other aggressive detergents or disinfectants to clean this machine as they might be harmful to its surfaces.

### Cleaning the housing

- > Use a damp, lint-free cloth to clean the housing.
- > Do not immerse the machine into water or any liquids.

- > Clean the ventilation openings (9) on the bottom and at the side cover of the engine with a soft brush. Clogged ventilation openings (9) might cause the engine to overheat.
- > Wipe the surface with a dry cloth afterwards.

### Cleaning the cutting attachment

- > Disassemble the cutting attachment in reversed order from assembly.
- > Use compressed air (max. 3 bar) to remove dirt accumulated on the cutting attachment.
- > Use a damp, lint-free cloth to clean the surface.
- > Wipe the surface with a dry cloth afterwards.

## Maintenance table

Inspect and maintain this machine regularly based on below maintenance table. Keep the machine in good working condition during maintenance.

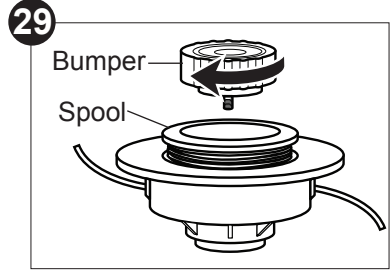
Part	Task	Before/after each use	Every 10 hours of operation	Every 25 hours of operation
Spark plug	check			X
	clean			X
	replace		whenever necessary	
Air filter	check	X		
	clean		X	
	replace		whenever necessary	
Fuel filter and fuel lines	clean		whenever necessary	
	replace		whenever necessary	
Cutting attachment	check	X		
	lubricate	X		
	clean	X		
	replace		whenever necessary	

## Cutting line

If the cutting line is used up, either the spool must be replaced by one of the same type or the cutting line must be refilled.

Before replacing the spool or the cutting line:

1. Lay the machine on a flat stable surface with its spool assembly facing upwards.
2. Open the spool assembly by unscrewing the bumper in a clockwise direction (Fig. 29).

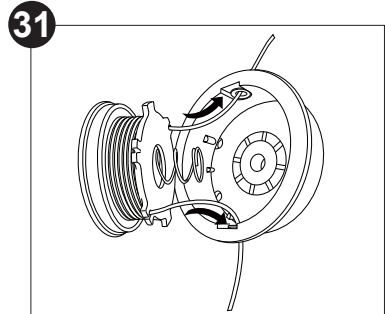
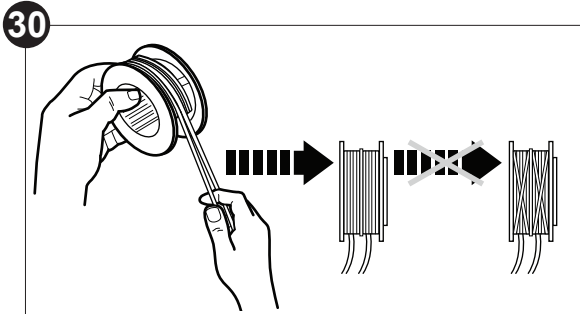


To replace the spool:

1. Remove the old one from the spool assembly.
2. Replace with a new one of the same type.

To replace the cutting line:

1. Take out the old spool and remove the remaining cutting line.
2. Cut a new 6 meter long cutting line with a diameter of 2 mm.
3. Form a loop at the middle of the line and insert this loop into the hook on the spool.
4. Wind the two parts of the cutting line clockwise firmly around the spool (Fig. 30). Refer to the arrow of "WIND CORD" marking on the spool for the winding direction.
5. Place the spool into the spool assembly and pass each end of the cutting line through the respective holes (Fig. 31).
6. Pull both ends of the cutting line so there is about 15 cm of loose cutting lines.
7. Refit the bumper and turn it in an anti-clockwise direction to secure the parts in place, pressing the spool towards the spool assembly.



**WARNING!** After changing the cutting line, run the machine under no load for at least a minute to make sure that the line was installed properly and the machine operates correctly.



**WARNING!** Never use steel threads or cutting lines!

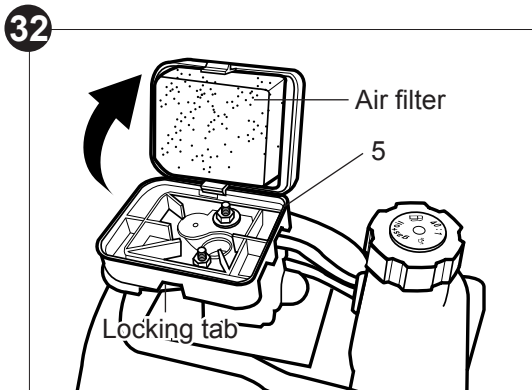


**NOTE:** To keep the cutting line elastic, remove the trimmer head (28) and store it in a damp place. Two or three days before the start of the new season, place the cutting line in water to keep it flexible.

## Air filter

Inspect the air filter regularly. Clean or replace it with a new one if necessary.

1. Press the locking tab on the lower part of the air filter case (5) and open its cover (Fig. 32).
2. Remove the filter and tap it on a stable surface to remove dust. Use compressed air (max. 3 bar) to remove stubborn dust.
3. Apply a small amount of air filter oil on the filter to obtain an optimal performance. Wring out surplus oil and put the filter into the case.
4. Refit the filter and close the cover of the air filter case (5).



## Fuel, fuel lines and fuel filter

The fuel tank of this machine is fitted with a filter located at the free end of the fuel pipe. If it is necessary to clean or replace the fuel filter, contact an authorised service centre or a similarly qualified person.

- > Keep fuel fresh (less than 30 days) or add fuel stabiliser.
- > Empty the fuel tank after every use.
- > Run the machine dry of fuel in idle before storage.

Replace fuel lines and fuel filters every 2 years.

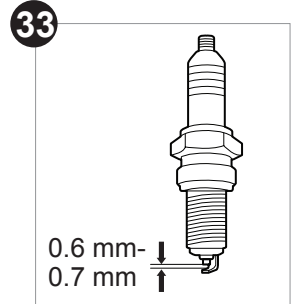
## Spark plug



**NOTE:** For good performance, the spark plug must be properly gapped and must be free of deposits.

Inspect the spark plug every 25 hours or before long-term storage over 30 days. Clean or replace with a new one if necessary.

1. Unplug the spark plug connector (3).
2. Loosen the spark plug anti-clockwise using the multi-tool I (33) and remove it carefully.
3. Check the spark plug for damage and wear. The colour of the electrode should be light-brown.
4. Remove the deposits from the electrode with a soft wired brush. Avoid heavy cleaning of the electrode.
5. Dry the spark plug with a soft cloth, if it is wet from fuel.
6. Check the spark plug gap. It should be 0.6-0.7 mm (Fig. 33).
7. Replace with a new spark plug if either the electrode or the insulation is damaged.
8. When replacing the spark plug, first screw it in hand tight and then lightly tighten it with the multi-tool I (33).



**NOTE:** Do not over tighten the spark plug to avoid any damage!

9. Refit the spark plug connector (3).

## Gear head

The gear head is filled with grease. If it be necessary to be refilled with grease, contact an authorised service centre or a similarly qualified person.

## Cutting blade

Remove the cutting blade and clean it. Check it for any damage and protect it from corrosion. If necessary take the cutting blades to an authorized dealer for sharpening.

## Carburetor

The carburetor is pre-adjusted by the manufacturer. If it is necessary to adjust the carburetor, contact an authorised service centre or a similarly qualified person. Do not perform any adjustment by yourself.

## Silencer

If it is necessary to adjust or replace the silencer, contact an authorised service centre or a similarly qualified person.

## Spare parts/Replacement parts



**WARNING! Risk of injury!** Use of nonconformant replacement components can result in serious personal injury or death.

The following parts of this machine may be replaced by the consumer. Spare parts are available at an authorised dealer or through our customer service.

Description	Model no. or Specification
Cutting blade	4 tooth, Ø 230 x 1.8 mm
Cutting line	Ø 2 mm nylon line
Spark plug	TORCH L8RTC (Gap of electrodes: 0.6-0.7 mm) or other model with same specifications

## Repair

This machine does not contain any parts that can be repaired by the consumer. Contact an authorised service centre or a similarly qualified person to have it checked and repaired.

## Storage



**WARNING! Risk of injury!** Make sure that unauthorized persons do not have access to the machine!



**NOTE:** Good storage conditions are important for keeping the machine trouble-free.

1. Clean the machine as described above.
2. Attach transportation guards, if applicable.
3. Store the machine and its accessories in a dry, frost-free, well-ventilated place.
4. Always store the machine in a place that is inaccessible to children. The ideal storage temperature is between 10 and 30 °C.
5. Store the machine in its bag or cover it with a suitable cloth to protect it against dust.

### Short term storage (less than 1 day)

1. Let the machine cool down before storage.
2. Store the machine as horizontally as possible. Make sure that no fuel-oil mixture can run out of the carburetor.

### Long term storage



#### NOTE: Risk of machine damage!

- > If you are not going to use the machine for a while, remove the fuel from the machine. This way, you will prevent a gumming-up of the engine and of the grease pump.
- > Store the machine in a dry place and far away from possible sources of ignition such as ovens, gas thermostats, etc.

1. Empty the fuel tank (8) using a fuel pump if you are not going to use the machine for more than 1 day, and especially before winter storage.
2. Start the engine and let it run until the engine stops by itself (see "Starting the engine").
3. Let the engine cool down (approx. 5 min).
4. Unplug the spark plug connector (3).
5. Let a teaspoon of clean two-stroke engine oil run into the combustion chamber.
6. Pull the recoil starter handle slowly several times in order to coat the internal components with the engine oil.
7. Refit the spark plug connector (3).

## Transportation

1. Stop the engine and disconnect the spark plug connector (3) before transporting the machine.
2. Attach transportation guards, if applicable.
3. Always carry the machine by its bottom drive shaft tube (17).
4. Protect the machine from any heavy impact or strong vibrations which may occur during transportation in vehicles.
5. Secure the machine to prevent it from slipping or falling over, loss of fuel, damage and injury.

### If you are transporting the machine in a vehicle:

- > Let the machine cool down.
- > Empty the fuel tank (8).
- > Secure the machine against slipping using bungee cords (not provided) and vehicle's transportation hooks.

## Troubleshooting

Suspected malfunctions are often due to causes that the operators can fix themselves. Therefore check the machine using this section. In most cases, the problem can be solved quickly.



**WARNING!** Only perform the steps described in these instructions! All further inspection, maintenance and repair work must be performed by an authorised service centre or a similarly qualified person if you cannot solve the problem yourself!

Problem	Possible cause	Solution
Engine does not start	Fuel tank empty?	Check before starting!
	Stop switch set to <b>O</b> ?	Follow the engine starting procedure.
	Incorrect starting procedure?	Follow the engine starting procedure.
	Spark plug connector not firmly attached?	Attach the spark plug connector firmly.
	Spark plug is wet?	Dry the spark plug.
	Spark plug connector is dirty?	Clean the spark plug connector.
	Primer has been pressed at warm start? Excess fuel in the combustion chamber?	Release throttle trigger lockout, set the choke to CLOSE position and start engine several times. If the engine does not start: remove spark plug and dry the electrodes.
	Spark plug is soiled (tip is rusted)?	Clean the spark plug.
	Primer has not been pressed at cold start?	Press the primer 6 times and restart. Follow the engine starting procedure.
	Distance from electrode to spark plug too great?	Set the gap between electrodes between 0.6-0.7 mm.
Incorrect fuel or incorrect mixture?	Stop the engine, empty tank, then fill up with the correct mixture of fuel to oil (40:1).	



<b>Problem</b>	<b>Possible cause</b>	<b>Solution</b>
Engine does not start	Fuel filter clogged?	Clean/replace the fuel filter.
	Spark plug defective?	Replace spark plug.
	Engine cold?	Follow cold starting procedure.
	Carburetor setting not correct?	Have a qualified person adjust the carburetor.
Engine does not reach the maximum speed.	Air filter is soiled?	Clean the air filter.
	Incorrect fuel or incorrect mixture?	Stop the engine, empty tank, then fill up with the correct mixture of fuel to oil (40:1).
	Carburetor setting not correct?	Have an expert adjust it.
Bad cutting performance.	Inappropriate cutting attachment used?	Select the proper cutting attachment for the use.
	Wrong cutting height?	Adjust the cutting height.
	Cutting/trimming guard clogged?	Clean the cutting/trimming guard.
	Cutting blade is not sharp enough?	Replace the cutting blade.
Excessive vibration/noise or smoke.	Cutting attachment broken?	Replace the broken attachment.
	Flanges/nut loosen?	Stop the engine and re-tighten the loosen fasteners.
	Incorrect fuel or incorrect mixture?	Stop the engine, empty tank, then fill up with the correct mixture of fuel to oil (40:1).

---

## Recycling and disposal

---

1. Old machines are potentially recyclable and do not, therefore, belong in your household rubbish. You are requested to assist us and our contribution to saving resources and protecting the environment by handing in this machine to an equipped collection centre (if there is one available).
2. Petrol, oil, used oil, a mixture of oil and petrol and objects soiled with oil e.g. cleaning cloths do not belong in the household rubbish. Dispose of oil-contaminated items in accordance with the local guidelines and hand them in at recycling centres.
3. The machine comes in a package that protects it against damage during shipping. Keep the package until you are sure that all parts have been delivered and the machine is operating properly. Recycle the package afterwards.

## Guarantee

---

We take special care to select high quality materials and use manufacturing techniques that allow us to create products incorporating design and durability. This product has a manufacturer's guarantee of 2 years against manufacturing defects, from the date of purchase (if bought in store) or date of delivery (if bought online), at no additional cost for normal (non-professional or commercial) household use.

To make a claim under this guarantee, you must present your proof of purchase (such as a sales receipt, purchase invoice or other evidence admissible under applicable law), please keep your proof of purchase in a safe place. For this guarantee to apply, the product you purchased must be new, it will not apply to second hand or display products. Unless stated otherwise by applicable law, any replacement product issued under this guarantee will only be guaranteed until expiry of the original period guarantee period.

This guarantee covers product failures and malfunctions provided the product was used for the purpose for which it is intended and subject to installation, cleaning, care and maintenance in accordance with the information contained in these terms and conditions, in the user manual and standard practice, provided that standard practice does not conflict with the user manual.

This guarantee does not cover defects and damage caused by normal wear and tear or damage that could be the result of improper use, faulty installation or assembly, neglect, accident, misuse, or modification of the product. Unless stated otherwise by applicable law, this guarantee will not cover, in any case, ancillary costs (shipping, movement, costs of uninstalling and reinstalling, labour etc), or direct and indirect damage.

Rights under this guarantee are enforceable in the country in which you purchased this product. Guarantee related queries should be addressed to the store you purchased this product from.

The guarantee is in addition to and does not affect your statutory rights.



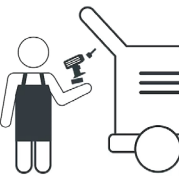

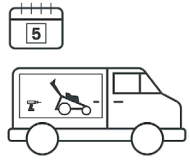
This guarantee does not affect your statutory rights.

## Customer care and technical helpline

### A better way to repair your tools

Kingfisher takes special care in creating high-quality garden power tools that are designed to last. But if a fault develops with your garden power tool and you need to claim under the guarantee, the Customer Care and Technical Helpline can support with technical assistance or if required, arrange a free courier collection from your home, assess your garden power tool for fault, repair it, and return it.

Deciding to repair your product rather than buying a replacement and adding to the mountain of waste is a more sustainable choice and you will be doing your bit for the environment.

How does it work?				
				
<b>Step 1</b> Find your proof of purchase and get in touch with the Customer Care and Technical Helpline.	<b>Step 2</b> Chat to them about the problem with your tool.	<b>Step 3</b> They will provide technical and user advice or alternatively arrange a courier collection from your home*.	<b>Step 4</b> The team will access and test and if necessary, repair your product back to full working order.	<b>Step 5</b> Your repaired tool will be returned to you via courier within 5 to 7 working days.



\* **NOTE:** Before collection, all fuel must be removed from petrol powered machines.

### Get in touch

If you need help or more information, please contact the Customer Care and Technical Helpline:

UK: 0800 0789647

EIRE: 1800 932226

Opening hours are Monday – Friday, 8am-5pm

## Availability of spare parts

---

Contact the customer service helpline for assistance or visit [www.kingfisherspares.com](http://www.kingfisherspares.com)

For assistance contact the customer services helpline:

UK: 0800 0789647 [uk@Kingfisherservice.com](mailto:uk@Kingfisherservice.com)


EIRE: 1800 932226 [eire@kingfisherservice.com](mailto:eire@kingfisherservice.com)

Further information about this product can also be found at:

[www.kingfisher.com/products](http://www.kingfisher.com/products)



## (UK) DECLARATION OF CONFORMITY

Product		
<ul style="list-style-type: none"> <li>&gt; Brush cutter</li> <li>&gt; FPPBC25-6</li> <li>&gt; 25cm<sup>3</sup> , 0.8 kW</li> <li>&gt; 000001 - 999999</li> </ul>		
Name and address of the manufacturer or his authorised representative:		
Kingfisher International Products Limited 3 Sheldon Square London W2 6PX United Kingdom		
This declaration of conformity is issued under the sole responsibility of the manufacturer.		
Object of the declaration		
<b>Product</b>	<b>Model</b>	<b>EAN</b>
Brush cutter	FPPBC25-6	3663602939993
The object of the declaration described above is in conformity with the relevant legislation:		
Supply of Machinery (Safety) Regulations 2008 as amended Noise Emission in the Environment by Equipment for Use Outdoors Regulations 2001 as amended Electromagnetic Compatibility Regulations 2016 as amended The Restriction of the use of Certain Hazardous Substances in Electrical and Electronic Equipment Regulations 2012 as amended		
Measured Sound Power Level: 109.3 dB(A) Guaranteed Sound Power Level: 111 dB(A)		
References to the relevant designated standards used or references to the other technical specifications in relation to which conformity is declared:		
EN ISO 11806-1:2022 EN ISO 14982:2009 EN ISO 3744:1995		
Authorised signatory and technical file holder: Kingfisher International Products Limited 3 Sheldon Square London W2 6PX United Kingdom		  David Awe Group Quality Director On/le/dnia/la/am/el/em: 04/09/2022



(EN) EU DECLARATION OF CONFORMITY  
 (FR) DÉCLARATION UE DE CONFORMITÉ  
 (PL) DEKLARACJA ZGODNOŚCI UE  
 (RO) DECLARAȚIA DE CONFORMITATE UE  
 (ES) DECLARACIÓN UE DE CONFORMIDAD  
 (PT) DECLARAÇÃO DE CONFORMIDADE UE

Product/ Produit/ Produkt/Produsul/Producto/Produto
> Brush cutter/Débroussailleuse/Obcinarka do zarośli/Mășina de tuns tufișuri/Desbrozadora/Cortador de mato
> FPPBC25-6
> 25cm <sup>3</sup> , 0.8 kW
> 000001 - 999999

Name and address of the manufacturer or his authorised representative: Nom et adresse du fabricant ou de son mandataire : Nazwa i adres producenta lub jego upoważnionego przedstawiciela: Denumirea și adresa producătorului sau a reprezentantului său autorizat: Nombre y dirección del fabricante o de su representante autorizado: Nome e endereço do fabricante ou do respetivo mandatário:
--

Kingfisher International Products B.V.,  
 Rapenburgerstraat 175E,  
 1011 VM Amsterdam,  
 The Netherlands  
[www.kingfisher.com/products](http://www.kingfisher.com/products)

This declaration of conformity is issued under the sole responsibility of the manufacturer. La présente déclaration de conformité est établie sous la seule responsabilité du fabricant. Niniejsza deklaracja zgodności wydana zostaje na wyłączną odpowiedzialność producenta. Prezenta declarație de conformitate este emisă pe răspunderea exclusivă a producătorului. La presente declaración de conformidad se expide bajo la exclusiva responsabilidad del fabricante. A presente declaração de conformidade é emitida sob a exclusiva responsabilidade do fabricante.
---

Object of the declaration/Objet de la déclaration/Przedmiot deklaracji/Obiectul declarației/Gegenstand der Erklärung/Objeto de la declaración/Objeto da declaração
--

Product/Produit/Produkt/Produsul/ Produto/ Produto	Model/Modèle/Model/ Modelul/Modelo/ Modelo	EAN
Brush cutter/Débroussailleuse/Obcinarka do zarośli/Mășina de tuns tufișuri/Desbrozadora/ Cortador de mato	FPPBC25-6	3663602939993

The object of the declaration described above is in conformity with the relevant Union harmonisation legislation: L'objet de la déclaration décrit ci-dessus est conforme à la législation d'harmonisation de l'Union applicable : Wymieniony powyżej przedmiot niniejszej deklaracji jest zgodny z odpowiednimi wymaganiami unijnego prawodawstwa harmonizacyjnego: Obiectul declarației descris mai sus este în conformitate cu legislația relevantă de armonizare a Uniunii: El objeto de la declaración descrita anteriormente es conforme con la legislación de armonización pertinente de la Unión: O objeto da declaração acima descrito está em conformidade com a legislação de harmonização da União aplicável:
--

2006/42/EC as amended	Machinery Directive
2014/30/EU as amended	Directive Electromagnetic compatibility
2000/14/EC as amended	Outdoor Noise Directive
2016/1628/EU Regulation	Gaseous and Particulate Pollutant Emission Limits
2011/65/EU as amended	Directive Restriction of the use of certain hazardous substances in electrical and electronic equipment
2006/42/CE telle que modifiée	Directive sur les machines
2014/30/UE telle que modifiée	Directive Compatibilit�� electromagn��tique
2000/14/CE telle que modifiée	Directive relative aux ��missions sonores dans l'environnement des mat��riels destin��s �� ��tre utilis��s �� l'ext��rieur des b��timents
2016/1628/UE R��glement relatif aux exigences concernant les limites d'��mission pour les gaz polluants et les particules polluantes	
2011/65/UE telle que modifiée	Directive relative �� la limitation de l'utilisation de certaines substances dangereuses dans les ��quipements ��lectriques et ��lectroniques
2006/42/WE w zmienionej dyrektywie maszynowej	
2014/30 / UE ze zmianami	Dyrektywa Kompatybilno�� elektromagnetyczna
2000/14/WE w zmienionej dyrektywie w sprawie ha��su na zewn��trz	
2016/1628/UE limity emisji zanieczyszcze�� gazowych i cz��stek sta��ych	
2011/65 / UE ze zmianami	Dyrektywa Ograniczenie stosowania niekt��rych niebezpiecznych substancji w sprz��cie elektrycznym i elektronicznym
2006/42/CE, astfel a fost modificat��	Directiva privind echipamentele
2014/30/UE, astfel a fost modificat��	Directiva privind compatibilitatea electromagnetic��
2000/14/CE, astfel a fost modificat��	Directiva privind zgomotul ��n aer liber
2016/1628/UE Regulamentul privind emisiile de poluan��i gazo��i ��i de particule poluante	
2011/65/UE, astfel a fost modificat��	Directiva privind limitarea utiliz��rii anumitor substan��e periculoase ��n echipamentele electrice ��i electronice
Directiva sobre maquinaria modificada	2006/42/CE
2014/30/UE modificada	Directiva Compatibilidad electromagn��tica
2000/14/CE modificada	Directiva sobre ruido al aire libre
2016/1628/Reglamento de la UE L��mites de emisiones de contaminantes gaseosos y part��culas	
2011/65/UE modificada	Directiva Restricci��n del uso de determinadas sustancias peligrosas en equipos ��lectricos y electr��nicos
2006/42/CE como diretiva de m��quinas alteradas	
2014/30/UE como altera��o da compatibilidade eletromagn��tica	
2000/14/CE como diretiva de ru��do exterior alterada	
Limites de emiss��o de poluentes gasosos e de poluentes de part��culas	2016/1628/REGULAMENTO da UE
2011/65/UE como restri��o diretiva alterada da utiliza��o de certas subst��ncias perigosas em equipamentos ��lectricos e electr��nicos	
Measured Sound Power Level/ Niveau de puissance acoustique mesur��/ Zmierzony poziom mocy akustycznej/ Nivel de putere acustic�� m��surat/ Nivel de potencia sonora medido / Nivel de pot��ncia sonora medido: 109.3 dB (A)	
Guaranteed Sound Power Level/ Niveau de puissance acoustique garanti/ Gwarantowany poziom mocy akustycznej/ Nivel de putere acustic�� garantat/ Nivel de potencia sonora garantizado/ Nivel de pot��ncia sonora garantido: 111 dB (A)	
Engine Model/ Mod��le de moteur/ Model silnika/ Modelul motorului/ Modelo de motor/ Modelo de motor: SL33	



References to the relevant harmonised standards used or references to the other technical specifications in relation to which conformity is declared:

Références des normes harmonisées pertinentes appliquées, y compris la date de celles-ci, ou des autres caractéristiques techniques, y compris la date de celles-ci, par rapport auxquelles la conformité est déclarée:

Odwołania do odnośnych norm zharmonizowanych, które zastosowano, wraz z datą normy, lub do innych specyfikacji technicznych, wraz z datą specyfikacji, w odniesieniu do których deklarowana jest zgodność:

Trimiteri la standardele armonizate relevante folosite, inclusiv data standardului, sau trimiteri la celelalte specificații tehnice, inclusiv data specificațiilor, în legătură cu care se declară conformitatea:

Referencias a las normas armonizadas pertinentes utilizadas, incluidas las fechas de las normas, o referencias a las otras especificaciones técnicas, incluidas las fechas de las especificaciones, respecto a las cuales se declara la conformidad:

Referências às normas harmonizadas aplicáveis utilizadas, incluindo a data da norma, ou às outras especificações técnicas, incluindo a data da especificação, em relação às quais é declarada a conformidade:

EN ISO 11806-1:2022

EN ISO 14982:2009

EN ISO 3744:1995

Authorized signatory and technical file holder/  
Signataire et responsable de la documentation  
technique autorisé/Podmiot uprawniony  
do wystawienia i adres przechowywania  
dokumentacji technicznej/ Semnatar autorizat  
și deținătorul dosarului tehnic/Firmante  
autorizado y titular del expediente técnico/  
Signatário autorizado e detentor da ficha  
técnica:



David Awe  
Group Quality & Sustainability Director  
On/le/dnia/la/am/el/em: 04/09/2022

Kingfisher International Products B.V.,  
Rapenburgerstraat 175E,  
1011 VM Amsterdam, The Netherlands  
[www.kingfisher.com/products](http://www.kingfisher.com/products)

**Manufacturer, Fabricant, Prodecnt,  
Producător, Fabricante:**

**UK Manufacturer:**

Kingfisher International Products Limited  
3 Sheldon Square London W2 6PX  
United Kingdom

**EU Manufacturer:**

Kingfisher International Products B.V.  
Rapenburgerstraat 175E 1011 VM Amsterdam  
The Netherlands



[www.diy.com](http://www.diy.com)  
[www.screwfix.com](http://www.screwfix.com)  
[www.screwfix.ie](http://www.screwfix.ie)

To view instruction manuals online,  
visit [www.kingfisher.com/products](http://www.kingfisher.com/products)